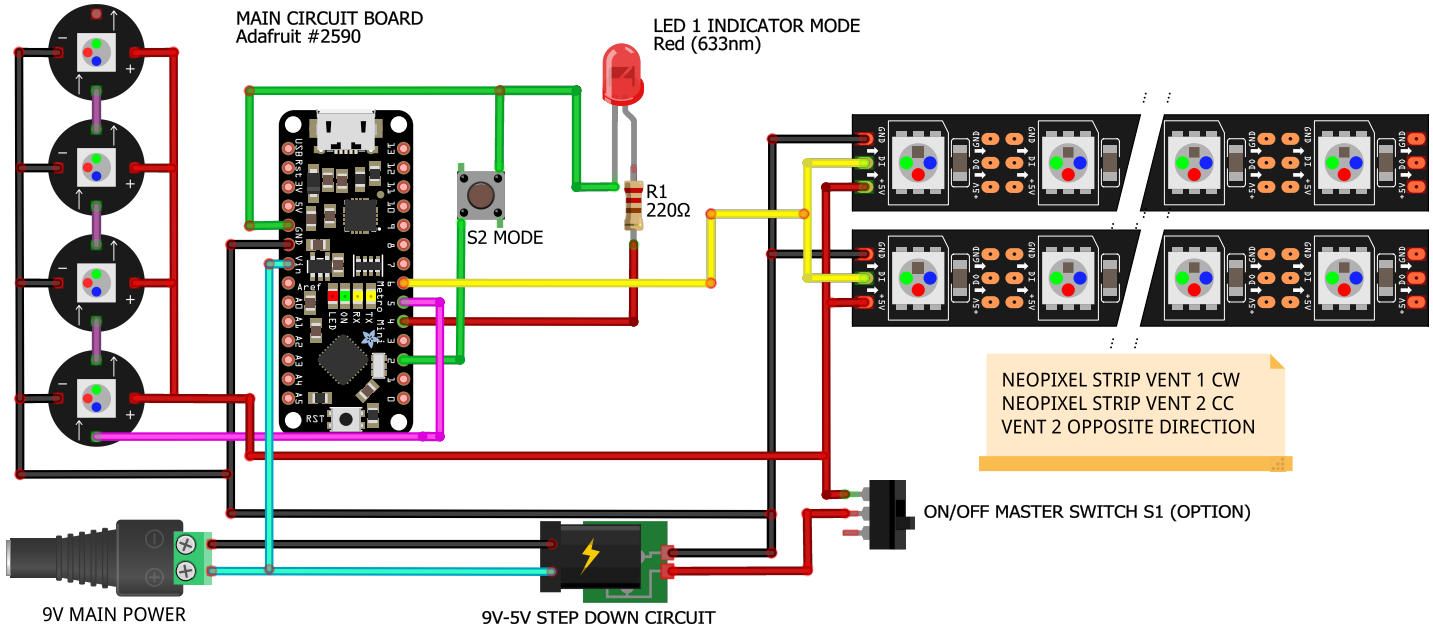


ET SHIP VENT & IMPULSE
DIAGRAM VER-1

IMPULSE LOWER ENGINE ARAY



PORTS LEGEND:
 PORT 6= DIN VENT 1-2
 PORT 5= RGB1 DIN
 PORT 4= LED 1
 PORT 2= S2-MODE SW
 VIN= +5V
 GND= GROUND

WIRE LEGEND:
 CYAN= +9V
 RED= +5V
 BLACK = GND -
 GREEN= S2 -MODE SW
 YELLOW= DIN VENT 1-2
 PURPLE= RGB1 DIN

NEOPIXEL STRIP VENT 1 CW
 NEOPIXEL STRIP VENT 2 CC
 VENT 2 OPPOSITE DIRECTION