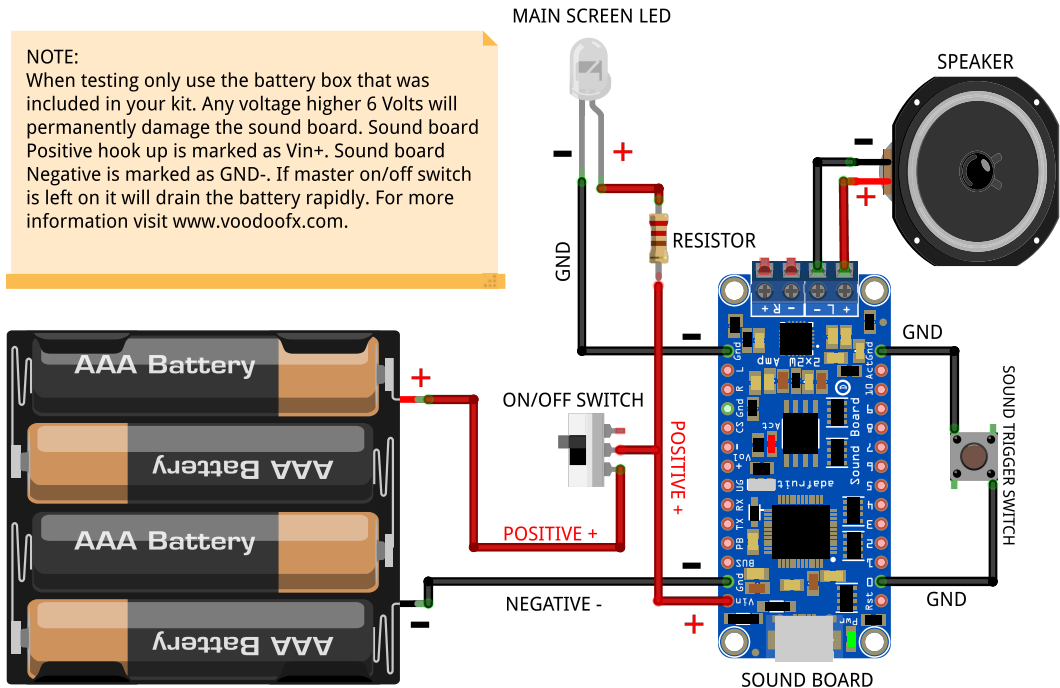


# COMMLOCK WIRING DIAGRAM

## NOTE:

When testing only use the battery box that was included in your kit. Any voltage higher 6 Volts will permanently damage the sound board. Sound board Positive hook up is marked as Vin+. Sound board Negative is marked as GND-. If master on/off switch is left on it will drain the battery rapidly. For more information visit [www.voodooofx.com](http://www.voodooofx.com).



## WIRE LEGEND:

RED WIRE = POSITIVE +  
BLACK WIRE = NEGATIVE - GND

## PARTS LEGEND:

BATTERY BOX  
SOUND BOARD  
SPEAKER  
ON/OFF SWITCH  
SOUND TRIGGER SWITCH  
LED  
RESISTOR