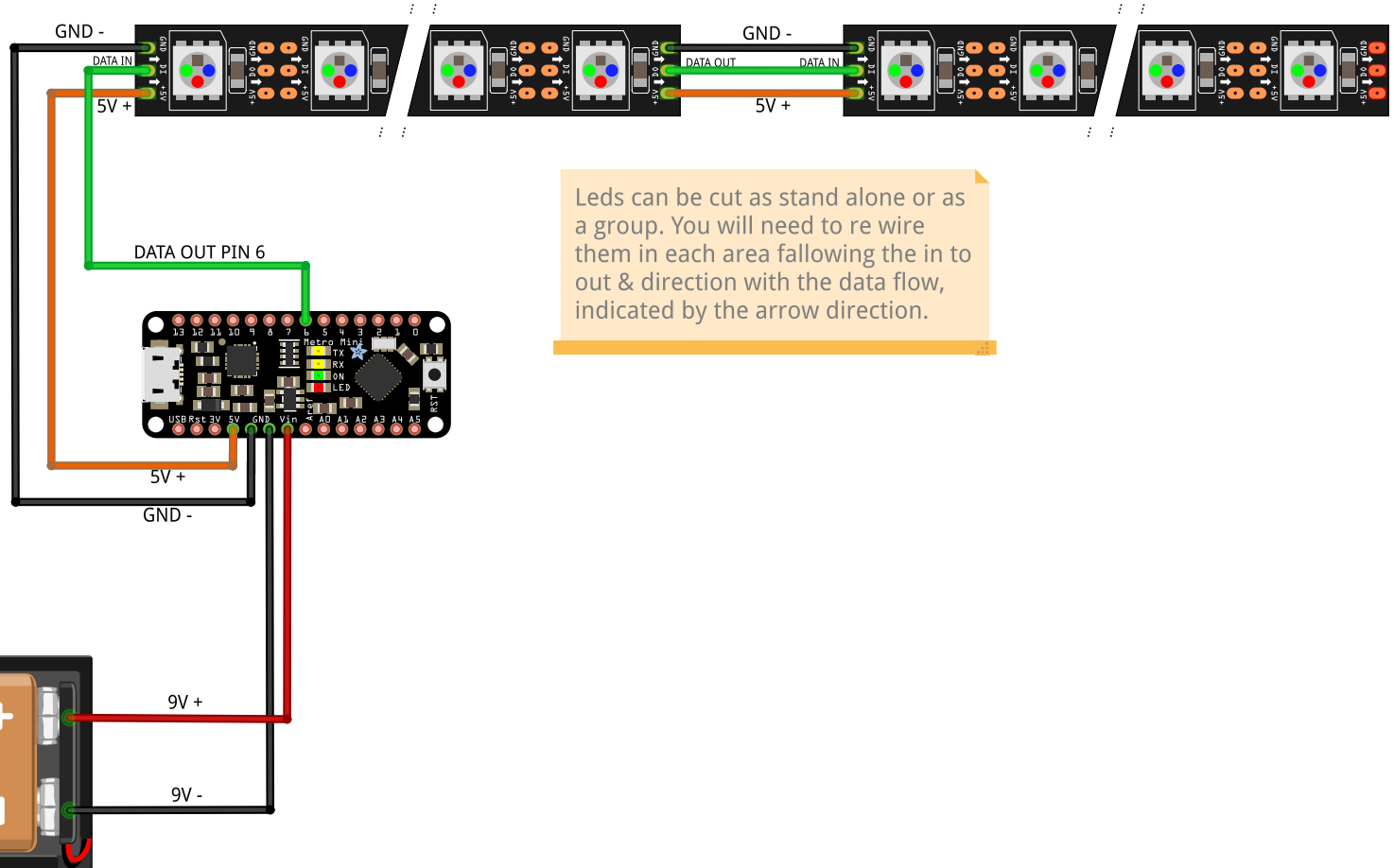


# Pirate Cannon FX Wire Diagram



Leds can be cut as stand alone or as a group. You will need to re wire them in each area following the in to out & direction with the data flow, indicated by the arrow direction.